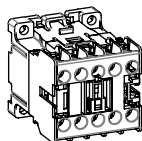




# RADE KONČAR KONTAKTORI I RELEI D.O.O.

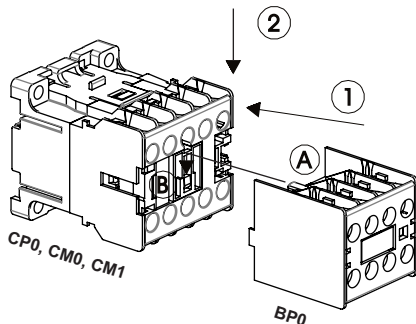


## INSTRUCTIONS FOR USE AND MAINTENANCE FOR CONTACTORS CP0, CM0, CM1 AND AUXILIARY CONTACT BLOCKS BP0, BP1

IEC 60947-5-1, IEC 60947-4-1

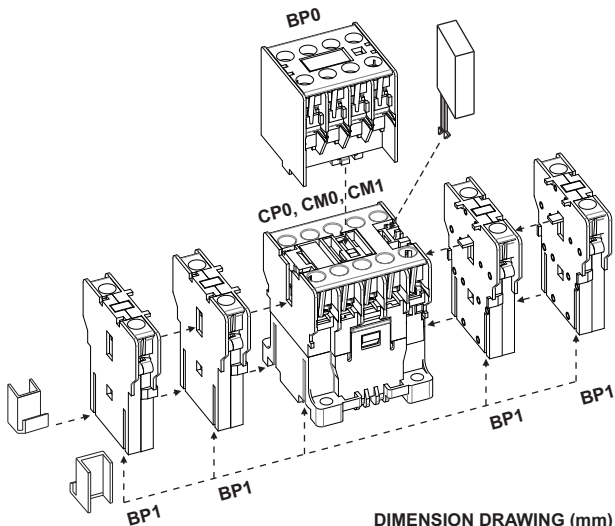
### CONDUCTOR CROSS SECTIONS

Contactor	Single-wire conductor	Multi-wire conductor	Max permissible fuses	
			Fuses	Time-lag
	mm <sup>2</sup>		A	
CP0	1...2 x 1...2,5	1...2 x 0,75...2,5	16	10
CM0	1...2 x 1...2,5	1...2 x 0,75...2,5	20	16
CM1	1...2 x 1...2,5	1...2 x 0,75...2,5	20	16
BP0	1 x 1...1,5	1 x 0,75...1,5	/	/
BP1	1...2 x 1...1,5	1...2 x 0,75...1,5	/	/

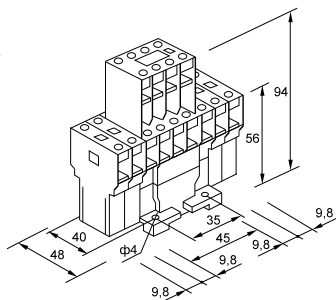
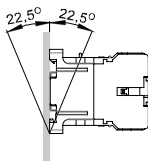
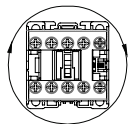


Mounting of auxiliary contact block BP0 on the contactor:

1. Place BP0 firmly on the cover of the contactor;
2. Then press BP0 down until you hear a "click" of the hook "A" when it enters into the groove "B" of the contactor;
3. Check whether BP0 is firmly fixed into the contactor.



**POSSIBLE INSTALLATION POSITIONS**



**CP0, CM0, CM1**



**RADE KONČAR KONTAKTORI I RELEI D.O.O.**

1000 Skopje, Macedonia, III Makedonska brigada br.54  
 Tel/ Fax: ++389 (0)2/ 2463 096; 2463 596; 2461 106;