

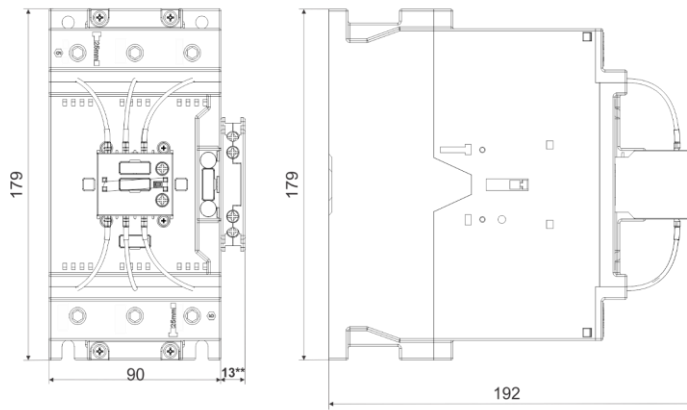

**RADE KONČAR CAPACITOR CONTACTOR
CNNK 80**

In conformity with standard IEC 60947-4-1

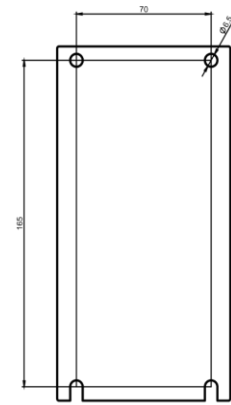
Contactor type			CNNK 80
Capacitor rating			
at operating voltage	230V	kVAr	45
	400-440V	kVAr	80
50/60 Hz	500-550V	kVAr	100
	660-690V	kVAr	115
Rated operational current Ie/AC-6b at 400 V		A	116
Maximum permissible peak current		I	≤ 200 Ie
Rated operational current Ith at 40 °C		A	160
Insulation rating	Ui	V	1000
Permissible ambient temperature		°C	-25 to +55
Rated impuls withstand voltage	Uimp	kV	8
consumption of electromagnet in cold state with Un Ac operated			
	closing	VA	400
	p.f.		0.48
	closed	VA	26
	p.f.		0.24
Coil	<u>Voltage tolerances</u>		0.85-1.1 Un
	<u>Tightening torque</u>	Nm	0.8
	<u>Terminal screw/screw head</u>		M3.5/PZ2
Degree of protection			IP00
Maximum permissible fuse ratings			
main circuit gL/gG		A	160
auxiliary circuit		A	16
Frequency of switching operations		s/h	100
Electrical endurance		min.	100,000
Sizes of connecting conductors			
main circuit			
multi-wire conductor		mm ²	1x(16-95)
multi-wire conductor		mm ²	2x(16-70)
Terminal screw			M10
Screw head			□ 5
Tightening torque		Nm	10-12

auxilliary circuit			
multi-wire conductor	mm ²		1-2,5
multi-wire conductor with cable shoe	mm ²		0,75-1,5
Termal screw			M3,5
Screw head			PZ2
Tightening torque	Nm		0.8
Loadability of auxiliary contacts rated continuous current Ith: 35		A	16
AC rated operational current Ie/AC 15			
	for 230V	A	10
	400V	A	6
	500V	A	4
	690V	A	2

Dimension drawings (mm) **CNNK 80**



Drilling plan (mm)



**With auxiliary block(02) (mm)