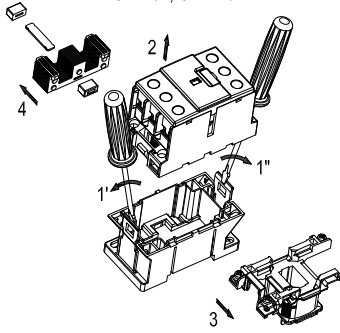


CHANGE OF THE COIL

CNN 32, CNN 40

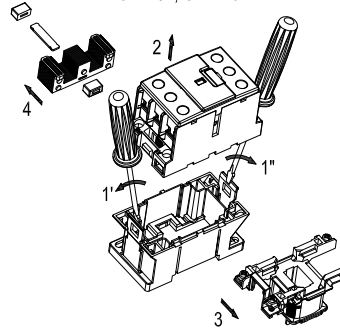
CNN 9, CNN 12, CNN 18
CNN 25



CHANGE OF THE COIL

CNN 32, CNN 40

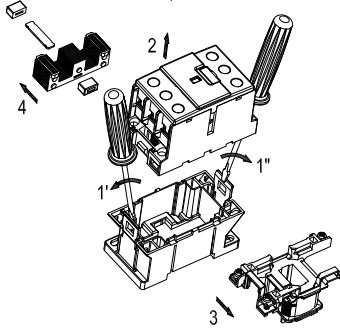
CNN 9, CNN 12, CNN 18
CNN 25



CHANGE OF THE COIL

CNN 32, CNN 40

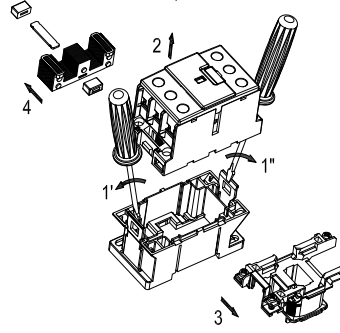
CNN 9, CNN 12, CNN 18
CNN 25



CHANGE OF THE COIL

CNN 32, CNN 40

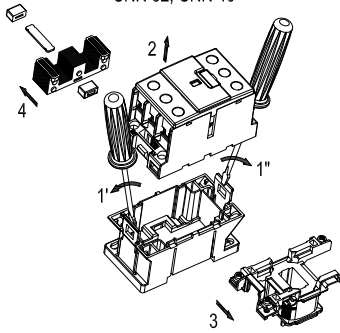
CNN 9, CNN 12, CNN 18
CNN 25



CHANGE OF THE COIL

CNN 32, CNN 40

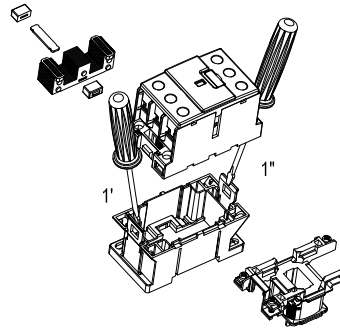
CNN 9, CNN 12, CNN 18
CNN 25



CHANGE OF THE COIL

CNN 32, CNN 40

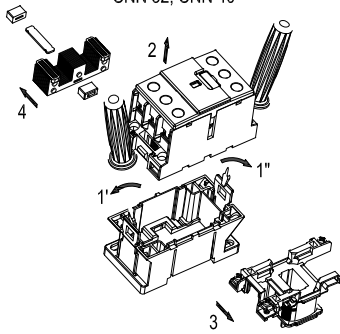
CNN 9, CNN 12, CNN 18
CNN 25



CHANGE OF THE COIL

CNN 32, CNN 40

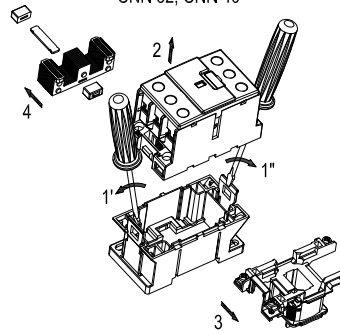
CNN 9, CNN 12, CNN 18
CNN 25



CHANGE OF THE COIL

CNN 32, CNN 40

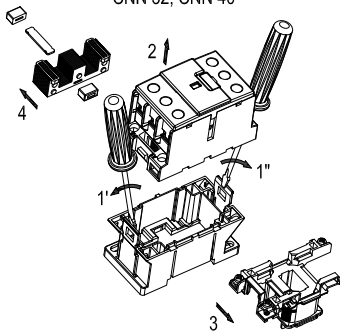
CNN 9, CNN 12, CNN 18
CNN 25



CHANGE OF THE COIL

CNN 32, CNN 40

CNN 9, CNN 12, CNN 18
CNN 25



CHANGE OF THE COIL

CNN 32, CNN 40

CNN 9, CNN 12, CNN 18
CNN 25

