



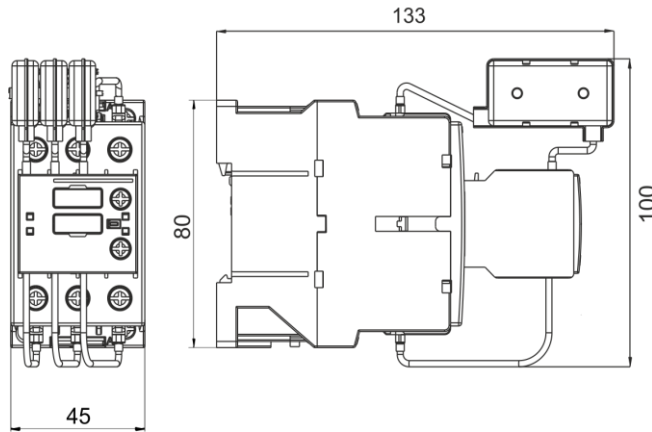
RADE KONČAR CAPACITOR CONTACTOR CNNK 25..N

In conformity with standard IEC 60947-4-1

Contactor type			CNNK 25E..N
Capacitor rating			
at operating voltage	230V	kVAr	14
	400-440V	kVAr	25
50/60 Hz	500-550V	kVAr	30
	660-690V	kVAr	35
Rated operational current Ie/AC at 400 V		A	36
Rated operational current Ith at 400 V		A	50
Insulation rating	Ui	V	690
Permissible ambient temperature		°C	-25 to +55
Rated impuls withstand voltage Uimp		kV	6
consumption of electromagnet in cold state with Un Ac operated			
	closing	VA	65
	p.f.		0,75
	closed	VA	8
	p.f.		0,3
Coil	Voltage tolerances		0.85-1.1 Un
	Tightening torque	Nm	0,8
	Termal screw/screw head		M3.5/PZ2
Degree of protection			IP20
Maximum permissible fuse ratings			
main circuit gL/gG		A	63
auxiliary circuit		A	16
Frequency of switching operations		s/h	120
Electrical endurance		min.	125.000
Sizes of connecting conductors			
-main circuit			
multi-wire conductor		mm ²	2.5-10
multi-wire conductor with cable shoe		mm ²	
Termal screw			M4
Screw head			PZ2
Tightening torque		Nm	1,6
auxilliary circuit			

multi-wire conductor	mm ²	1-2.5
multi-wire conductor with cable shoe	mm ²	0.75-1.5
Terminal screw		M3.5
Screw head		PZ2
Tightening torque	Nm	0,8
Loadability of auxiliary contacts rated continuous current I _{th} : 35	A	10
AC rated operational current I _e /AC 15		
for 230V	A	6
400V	A	4
500V	A	2
690V	A	1

CNNK 25E..N



Drilling plan (mm)

