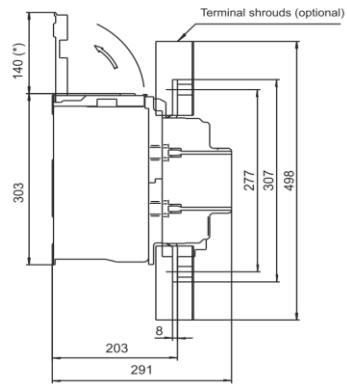
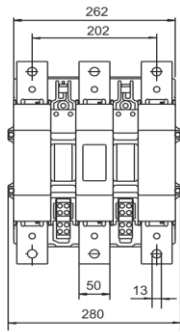


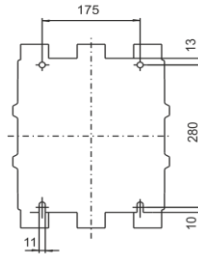

**RADE KONCAR CONTACTOR CNM700**  
**700A/400kW (AC3, 400V/50Hz); 1000A(AC1)**

Contactor type			CNM 700
<b>Mechanical data</b>			
Protection degree			IP00
Mechanical endurance	make/brake operations		5
Max.frequency of no load operation		(op/h)	1200
Fixing			screws fixing
<b>ELECTRICAL DATA OF POWER CIRCUIT</b>			
Number of main poles			3 (with facility to fit 4th add-on neutral switching pole)
Rated insulation voltage		Ui (V)	1000
Thermal current		Ith (A)	1000
Rated operational current Ie AC1 Ue=690V t.amb.=40°C (A)			1000
		Ie AC3 Ue=440V t.amb.=55°C (A)	<b>700</b>
<b>Max Ratings of 3-phase motor at 400V 50 Hz in AC2,AC3 (kW)</b>			<b>400</b>
	1 s	(A)	7000
	4 s	(A)	7000
Rated short time withstand current t.amb. = 40° C	10 s	(A)	5600
	15 s	(A)	5000
	30 s	(A)	3700
	1 min	(A)	2800
	2 min	(A)	2200
	6 min	(A)	1600
	15 min	(A)	1150
Short circuit protection fuses ( Ue = 440V) coordination to IEC 60947-4-1	Type 1 gG(A)	(A)	800
	Type 2 gG(A)	(A)	-
	Type 3 gG(A)	(A)	-
Making capacity	coordination to EN 60947-4-1 (A)		10 x Ie in AC3
	max.values.	690V (A) 1000 V (A)	7000 -
Breaking capacity	coordination to EN 60947-4-1 (A)		8 x Ie in AC3
		500V (A)	7000
		690V (A)	5600
		1000V (A)	-
Main pole resistance		(mΩ)	0.1
Sizes of connectiong conductors	Cables	mm <sup>2</sup>	
	Bars	mm <sup>2</sup>	2 x (60x5)
Tightening torque		(Nm)	60
Weight (kg)			26,4
<b>ELECTRICAL DATA OF CONTROL CIRCUIT</b>			
Rated control	AC 50-60 Hz	(V)	24 ...600 V
	DC	(V)	24 ...440 V
Coil operation limits	AC/DC pick-up	(V)	0.85...1.1 Uc
	AC drop out	(V)	0.2 ...0.75 Uc
	DC drop-out	(V)	0.1.....0.6 Uc
Average coil consumption	AC/DC pick-up	(VA)	1350....1600
	DC pick-up	(W)	1300....1560
	AC sealed	(W)	21....25/(21...25)
	DC sealed	(W)	18...22

# CNM 700



## Drilling plan (mm)



(\* ) Necessary distance to remove coil and/or feeder group.